



Gv J. v. Stolbergln 31 - A3850  
2263AB Leidschendam  
The Netherlands  
+31 85 25 00 235  
[www.jrseco.com](http://www.jrseco.com)  
[info@jrseco.com](mailto:info@jrseco.com)



## **Manual for low radiation wireless access point with JRS Eco-wifi 05AC firmware**

## **Gebrauchsanweisung für den strahlungsarmen Router mit der JRS Eco-Wifi 05AC Firmware**





Gv J. v. Stolbergln 31 - A3850  
2263AB Leidschendam  
The Netherlands  
+31 85 25 00 235  
[www.jrseco.com](http://www.jrseco.com)  
[info@jrseco.com](mailto:info@jrseco.com)



**Manual for low radiation wireless access point with JRS Eco-wifi 05AC firmware**  
ENGLISH ..... Page 3

**Gebrauchsanweisung für den strahlungsarmen Router mit der JRS Eco-Wifi 05AC Firmware**  
DEUTSCH ..... Seite 13



Gv J. v. Stolbergln 31 - A3850  
2263AB Leidschendam  
The Netherlands  
+31 85 25 00 235  
[www.jrseco.com](http://www.jrseco.com)  
[info@jrseco.com](mailto:info@jrseco.com)



## Manual for low radiation wireless access point with JRS Eco-wifi 05AC firmware

### Introduction

Less radiation, same performance. Share the Internet throughout your home or office while minimizing your exposure to electromagnetic radiation, with the low EMF wifi firmware from JRS.

Did you know that normal Wi-Fi® routers for wireless Internet unnecessarily transmit a signal 10 times per second and 24 hours per day, even when they are not used? The solution is a low radiation wifi router. These routers come with the unique JRS Eco-wifi firmware installed: an operating system that reduces electromagnetic radiation with a factor of 90% in stand-by. This reduces exposure to electromagnetic radiation from the router by a factor of 10, measurably.

- Reduce wifi radiation by 90% in standby:  
pulse frequency reduced to only once per second.  
Connection throughput and network stability remain the same.
- Options for completely (100%) turning off wifi radiation:
  - Scheduled wifi switch-off (for example during night time)
  - Manual on-/off-switch for wifi transmitter.
- Fine adjustment of range with 1 milliwatt step size:  
achieve up to 95% reduction in transmit power.

*The exposure to EM radiation from the laptop or other wirelessly connected equipment remains unchanged. You may be able to reduce the transmit power of your computer's wifi adapter with the Windows® Device Manager. A wired Internet connection is radiation-free and minimizes health risk.*

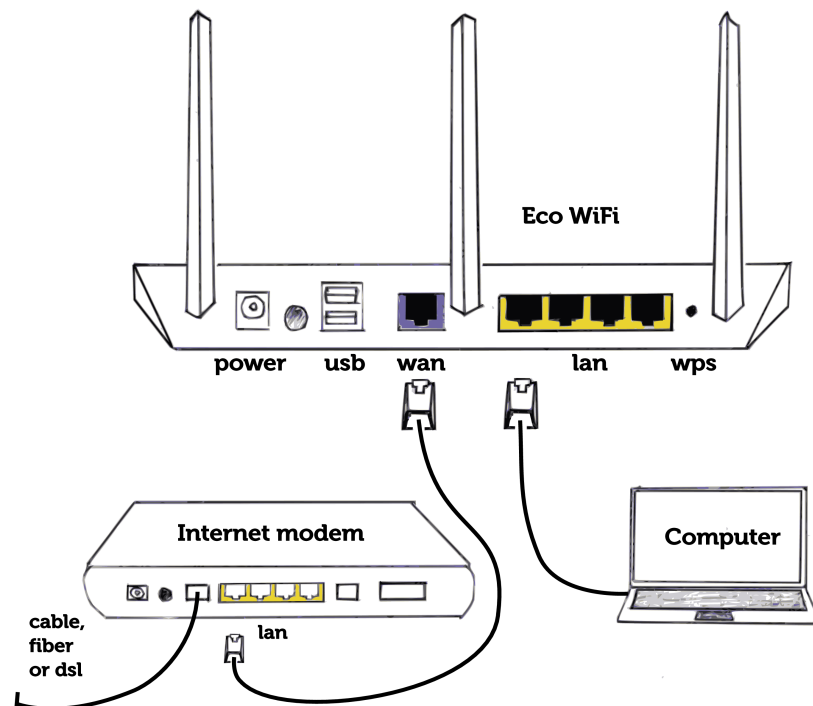
### Default password

By default, the accesspoint is set up with wireless security activated. Therefore you need a password to connect to the wifi accesspoint using wireless, and also for logging into the configuration page. This is also the default username/password after a reset (see at the end of this manual):

- username:** *root* (only required for logging into the configuration page)
- password:** *ecowifi!*

## Connecting your Eco-wifi router

The figure below shows how to connect the Eco-wifi router to your Internet modem.



1. Connect the included patch cable from the blue WAN port of the Eco-wifi to a free LAN port of your Internet modem.
2. Mount the antennas on the Eco-wifi. Connect the power adapter and plug the adapter in to a power outlet.
3. **Important!** If your Internet modem has wifi built in, switch it off. If you don't know how, ask the customer service of your provider for help. See also below.

## Connecting your computer to the Eco-wifi router

You now have two options to connect your computer or other device to the router. You can connect wirelessly to the Eco-wifi using the default wifi password '*ecowifi!*' (with exclamation mark). Or using the LAN ports of the Eco-wifi you can make a wired connection.

## Changing the wifi password

It is strongly recommended to **change the wifi password immediately!** To change the wireless security settings and the wifi password of the Eco-wifi router:



Gv J. v. Stolbergln 31 - A3850  
2263AB Leidschendam  
The Netherlands  
+31 85 25 00 235  
[www.jrseco.com](http://www.jrseco.com)  
[info@jrseco.com](mailto:info@jrseco.com)



1. Go to the Eco-wifi configuration menu at <http://192.168.4.1> and login with username *root* and password *ecowifi!*
2. On the Eco-wifi configuration page, go to the menu **Basic** → **Network**.
3. Enter the desired new password at 'shared key'.
4. Do this both for the 2.4GHz network and the 5GHz network (it is shown twice).

Now you need to connect to the Eco-wifi again using the new password in your wireless settings. If you have trouble connecting again, you may need to go to 'Manage wireless networks' or similar on your device, select the 'jrs-ecowifi' network and choose 'Forget network'.

### **Turning off the built-in wifi of your Internet modem**

You need to retain your Internet modem because it provides the conversion of the Internet signal to ADSL, cable or fiber, the specifics of which depend on your Internet provider. If your Internet modem has built-in wifi, this needs to be turned off in order to minimize wifi radiation. You don't need that wifi signal anymore because the wifi function is taken over by the Eco-wifi router.

On some Internet modems you can simply turn off the wifi with a switch on your modem, or login to a settings menu. We regularly receive questions about how to do this. Please understand that we cannot support all the different providers and modems. This is outside of our scope of influence. However, remember that turning off the built-in wifi is always possible. If you don't know how, ask your provider's customer service to help you. Alternatively, you may search for a do-it-yourself manual on the Internet by typing the provider name and the make and model of your Internet modem. Usually the built-in wifi can be turned off in the settings menu of your Internet modem, which can be reached through a web browser by typing in the correct address, an IP number.

If your Internet provider also operates a public wifi network through its Internet modems, please make sure to also turn this public wifi network off. In some cases you need to do this on a separate web page of the Internet provider with a personal login. You can check if your modem is not emitting any wifi anymore by holding your smartphone next to it and scanning for wifi networks. Make sure there is no strong wifi network on top of the list with the name of the public network.

### **Opening the Eco-wifi router's configuration page**

1. Start your web browser.
2. Type into the web browser address bar: <http://192.168.4.1>.
3. To log into the configuration page, use username: *root* and admin password: *ecowifi!*

You may change the administrator password if desired. This is the password that needs to be entered to open the configuration page. You can do this in the configuration page in the menu



Gv J. v. Stolbergln 31 - A3850  
2263AB Leidschendam  
The Netherlands  
+31 85 25 00 235  
[www.jrseco.com](http://www.jrseco.com)  
[info@jrseco.com](mailto:info@jrseco.com)



Administration → Admin Access ('password' at the bottom of the page). It is not strictly necessary to change the administrator password, because the configuration page is only accessible from the local network.

### **Dual band**

The Eco-wifi router is a dual band router and emits two wifi networks: one on the 2.4GHz frequency, named 'jrs-ecowifi' and one on the 5GHz frequency, named 'jrs-ecowifi-5G'. The range is best on the 2.4GHz network because 5GHz is attenuated more by walls and ceilings. The maximum AC wifi throughput speed (up to approx. 350Mbps) can be achieved on the 5GHz network. See also 'How to maximize the throughput speed of the Eco-wifi 05AC' below. If you want to minimize the EM radiation you have the option of turning off the 5GHz network for example. This can be done in the configuration menu on the Basic → Network page.

### **Transmit power setting**

To reduce the radiation even further, you can lower the transmit power. (Router's range is reduced).

The transmission power is best set to the lowest value at which the desired wifi coverage is achieved reliably, and no higher. This depends on the size of your office or house, the type of walls and floors (wood, stone, or reinforced concrete), and the quality of the wifi receivers in the used laptops/tablets/mobile phones etc.

1. Go to the menu Advanced → Wireless in the Eco-wifi configuration page.
2. Change the Transmit Power field. The lowest possible setting is 4mW. There are two occurrences: once for 2.4GHz and once for 5GHz. The actual measured transmission power at that setting (measured by JRS) is a factor of 10-20x below the default setting. The lower the setting, the lower your exposure to EMFs.

**The nominal setting is 30-40mW.**

### **Manually turning on and off the wifi-signal**

Using the 'WPS' button or the 'WIFI on/off' button on the side of the Eco-wifi, the wifi signal can be manually turned off, while the LAN-/ethernet-ports keep functioning. The wifi emissions are completely stopped (100% radiation reduction) while you can keep working using the wired LAN / ethernet ports. Keep the button pressed for one second until the power light goes off. Then release it again. If the wifi indicator lights go off, the Wi-Fi radio is turned off. To turn the radio back on, follow the same procedure.

After powering the access point on, the wireless will be enabled.

The Eco-wifi does not support Wireless Protected Setup (original function of WPS button).



Gv J. v. Stolbergln 31 - A3850  
2263AB Leidschendam  
The Netherlands  
+31 85 25 00 235  
[www.jrseco.com](http://www.jrseco.com)  
[info@jrseco.com](mailto:info@jrseco.com)



## Set times at which the wifi is automatically turned off fully

1. Go to the menu Basic → Time. Set the Timezone to your zone.
2. Go to the Access Restriction menu in the configuration page.
3. Click Add.
4. Click on the radio button for 'Disable Wireless' and fill in the desired times.

To switch on wifi manually during off times, keep the WPS (or WIFI on/off) button on the side of the router pressed for one second as described above. The router will resume its on-/off schedule at the next set time.

Note: if the Eco-wifi is configured as a switch as described in the section 'Configure the Eco-wifi as a switch instead of as a router' below, you need to set the router time manually:

1. Go to the Tools -> System Commands menu
2. Type the following command in the box: 'date -s YYYY.MM.DD-hh:mm:ss', replacing YYYY.MM.DD by the current date and hh:mm:ss by the current time.
3. Click on 'Execute'. The time is now set, until the router is reset or the power is disconnected.

## How to maximize the throughput speed of the Eco-wifi 05AC

– Set Bandwidth to 80MHz in the menu Basic → Network and click 'save'.

– Follow the procedure described in the section 'Configure the Eco-wifi as a switch instead of as a router' below.

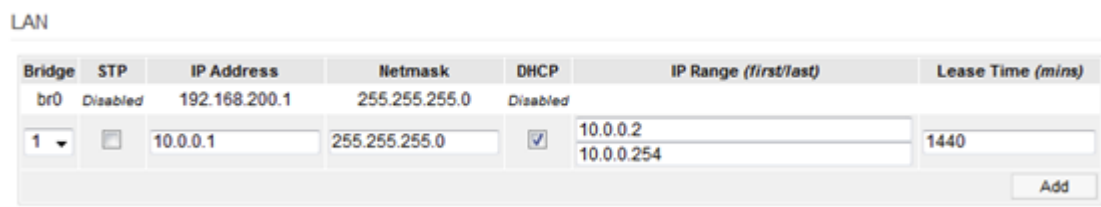
## Turning on USB and Network Attached Storage (NAS) support

1. Go to the Eco-wifi configuration page, to the *USB and NAS* menu.
2. Check whether *Core USB Support*, *USB 2.0 Support* is checked.
3. Check *USB printer support* if required.
4. Check whether the filesystems you will be using are checked (in most cases *FAT*).
5. Check whether *Automount* is checked.
6. Go to the submenu *File Sharing*.
7. Check *Yes, no authentication*.

## Set a guest network on the Eco-wifi

Adding of additional networks ('SSIDs'), for example for a guest network, is explained here. Up to 4 SSIDs can be made for each frequency. In total this amounts to 8 SSIDs on the Eco-wifi 05AC (for the 2.4GHz and 5GHz frequencies).

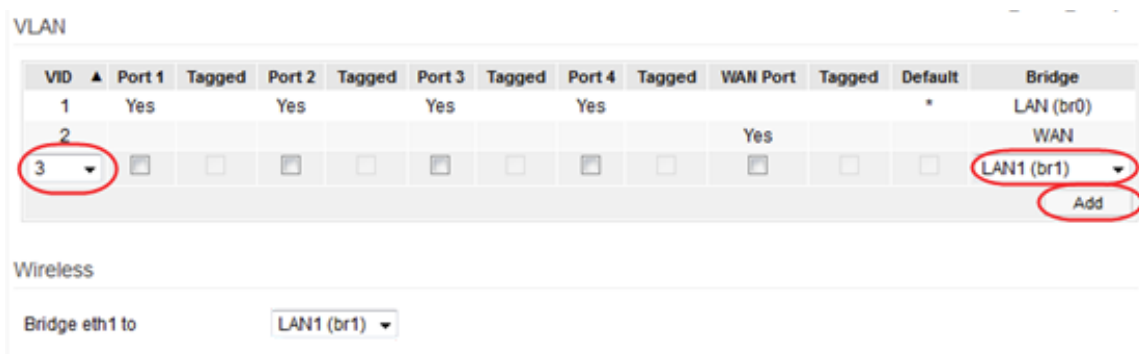
1. In the menu Basic > Network, add an extra 'bridge' with a unique IP-number (not equal to 192.168.4.1). Check DHCP. Click on Add, and next click on Save at the bottom of the page. In the figure below, **10.0.0.1** is created for the new bridge **1 (br1)**:



Bridge	STP	IP Address	Netmask	DHCP	IP Range (first/last)	Lease Time (mins)
br0	Disabled	192.168.200.1	255.255.255.0	Disabled		
1	<input type="checkbox"/>	10.0.0.1	255.255.255.0	<input checked="" type="checkbox"/>	10.0.0.2 10.0.0.254	1440

Click on Add, then on Save at the bottom of the page.

2. In the menu Advanced > VLAN: Under VLAN, add VLAN ID **3** and connect it to the new **LAN1 (br1)** bridge. Click on Add.



VID	Port 1	Tagged	Port 2	Tagged	Port 3	Tagged	Port 4	Tagged	WAN Port	Tagged	Default	Bridge
1	Yes		Yes		Yes		Yes				*	LAN (br0)
2									Yes			WAN
3	<input type="checkbox"/>		<input type="checkbox"/>		<input type="checkbox"/>		<input type="checkbox"/>		<input type="checkbox"/>			LAN1 (br1)

3. Go to the menu Advanced --> Virtual Wireless. Set the wifi network name of the guest network under 'SSID'. On this page you can also set the security: on top of the page a block is shown with 'Overview'. In het the grey squares next to it, all the guest networks are listed. You can click on them, after which a page is displayed that allows you to set the security.

4. Reboot the router.

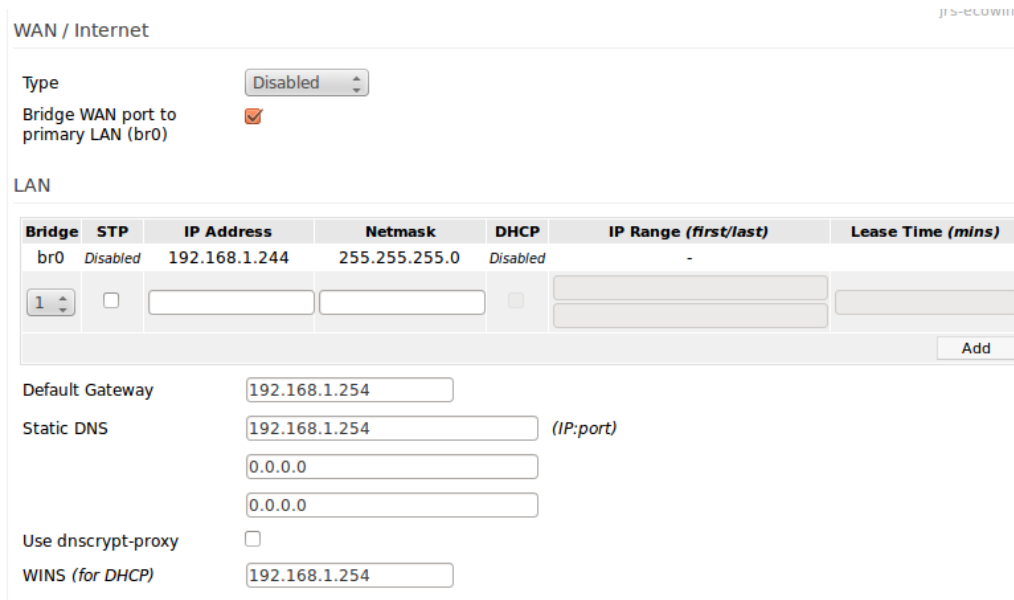
## Configure the Eco-wifi as a switch instead of as a router

The Eco-wifi can also be configured as a switch instead of as a router. This can be necessary for example in order to be able to reach a Network Attached Storage device from devices that are connected to your Internet modem (which is on the WAN side of the Eco-wifi), or for seamless roaming of wireless devices between multiple Eco-wifi routers. In the latter case, you also need to set the SSIDs and wireless passwords exactly the same for all routers.

1. Go to the Eco-wifi menu Status → Overview and write down the 4 number address that is listed next to *Gateway*, which is the IP address of your Internet modem. Also write down the 4 numbers that are listed next to *Subnet*. These numbers are needed in the next step.



2. In the Eco-wifi, go to the menu Basic --> Network.



The screenshot shows the 'WAN / Internet' configuration page. The 'Type' is set to 'Disabled'. The 'Bridge WAN port to primary LAN (br0)' checkbox is checked. The 'LAN' section contains a table with columns: Bridge, STP, IP Address, Netmask, DHCP, IP Range (first/last), and Lease Time (mins). The first row shows 'br0', 'Disabled', '192.168.1.244', '255.255.255.0', 'Disabled', and '-'. Below the table are fields for 'Default Gateway' (192.168.1.254), 'Static DNS' (192.168.1.254), and 'WINS (for DHCP)' (192.168.1.254). There are also empty fields for 'Static DNS' and 'Use dnscrypt-proxy'.

- Under *IP Address* (in the field with the number 192.168.1.244 in the example figure) fill in the first 3 numbers of your Internet modem's IP address found in step 1 and choose as the 4th number an unused number in your network (a safe choice is usually between 80 and 239).

- Under *Netmask* (in the field with the number 255.255.255.0 in the example figure) fill in the 4 numbers found in step 1 at *Subnet*. Uncheck *DHCP*. Click on OK (right).

- Next to *Default Gateway*, *Static DNS* and *WINS* (in the fields with the number 192.168.1.254 in the example figure), fill in the full 4-number IP address of your Internet modem found in step 1.

3. Click on save (at the bottom of the page).

4. Note: from now on, the settings menu of the Eco-wifi can be reached by typing in Internet Explorer the new IP number that you have chosen in step 2.

## Full reset of the Eco-wifi

To reset the router, so that all passwords, settings etc. are returned to default values, use the following procedure. All eco functionality will remain after the reset.

1. Pull the power plug out of the outlet.
2. Push the WPS-button and keep it pressed.
3. Put the power plug in the outlet. The power light should be blinking rapidly now.
4. Keep the WPS-button pressed for another 3 seconds.



Gv J. v. Stolbergln 31 - A3850  
2263AB Leidschendam  
The Netherlands  
+31 85 25 00 235  
[www.jrseco.com](http://www.jrseco.com)  
[info@jrseco.com](mailto:info@jrseco.com)



## Troubleshooting

### If you cannot connect to the wireless network

- There could be a problem with the settings on your wifi device (laptop/mobile phone), for example the wrong type of security setting has been selected or the wrong password has been typed in. Try to use 'forget network' or similar so that you can enter the settings/password again.
- In very exceptional cases, for example very old computers - this concerns 1% of cases - the reduced pulsing of the Eco-wifi may not be compatible with your wireless device. A possible solution is to use a USB wifi adapter stick in your wireless device to connect with the Eco-wifi.

### My devices cannot find the Eco-wifi network, connection keeps dropping or is slow

When other wifi networks are in the area, for example neighbouring wireless routers or other wireless transmitters working on the same wifi frequency as the Eco-wifi router, interference may occur which causes these problems. Also if the built-in wifi of your Internet modem is not turned off, and that includes the public wifi network or wifispots it may be transmitting, these can interfere heavily with the Eco-wifi signal.

In most cases the solution for connection problems is to set the Eco-wifi router to another channel. It is best to set the router to a fixed channel instead of to Auto. To find the best channel you may follow this procedure:

\* Go to the menu Basic --> Network in the Eco-wifi settings menu, accessible by typing 192.168.4.1 in the address bar of your browser (username *root*, password *ecowifi!*), and click on the scan button next to the Channel selection for 2.4GHz. When scanning is finished, choose a free channel (a channel next to which no neighboring wifi network name is shown). For 5GHz this is usually not needed. Click on save at the bottom of the page.

\* If there are no free channels, look at the signal strength of the other wifi networks. The signal strength ranges from approx. -80dBm (very weak) to -30dBm (very strong). Choose a channel on which only a weak network is present. Also try to avoid having very strong interferers right above or below the selected channel.

Optionally: go to the menu Advanced --> Wireless, to the setting Interference Mitigation and set this to Non-WLAN. Do the above both for 2,4GHz and for 5GHz. This function attempts to avoid interference from other equipment that is transmitting on the same frequency (such as certain wireless video links).

Optionally: lower the 'beacon interval' to 800 in the menu Advanced --> Wireless. Do this both for the 2.4GHz channel and the 5GHz channel (is shown twice).

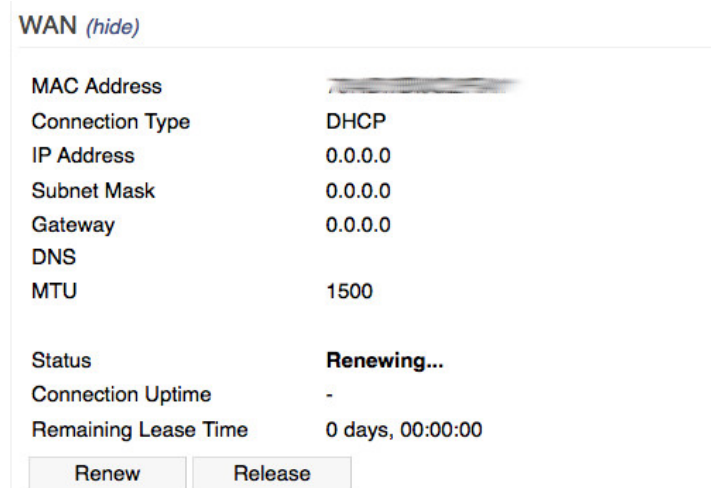
Optionally: In the menu Advanced --> Wireless, change the WMM<sup>®</sup> (wireless multimedia) setting to 'disabled' and click on save at the bottom of the page.

## If the 5GHz network is not showing on your wireless device

– In the menu Advanced → Wireless, change the country setting, if available, for the 5GHz network, to the correct value.

## I can connect to the eco-wifi network but cannot get on the internet

How to identify this problem? Connect with the eco-wifi network, either hardwired through one of the LAN ports of the eco-wifi, or wireless, then type <http://192.168.4.1> in the address bar of your browser, log in (standard username 'root', password 'ecowifi!') and click on 'Status'. The screen shows 'WAN - Status Renewing...' like this:



WAN (hide)	
MAC Address	██████████
Connection Type	DHCP
IP Address	0.0.0.0
Subnet Mask	0.0.0.0
Gateway	0.0.0.0
DNS	
MTU	1500
Status	<b>Renewing...</b>
Connection Uptime	-
Remaining Lease Time	0 days, 00:00:00
<input type="button" value="Renew"/> <input type="button" value="Release"/>	

This means that there is a cable connected to the WAN port, but your internet modem fails to provide an IP address to the eco-wifi router.

Solution 1: Your internet modem may be configured in so-called Bridge Mode. Whatever router or other device you connect to its LAN port is then directly connected to the provider's network. Often only one unique device (MAC address) is allowed to be connected to the provider's network. When this place has been taken by the previous setup, the network needs to be reset. **Try to turn off your internet modem for a full five minutes.** Then turn back on and reconnect the eco-wifi router to LAN port 1 of your internet modem. You may also contact your internet provider's customer service for assistance.

Solution 2: Alternatively you may need to check whether the connection between the eco-wifi router and the internet modem is properly made. The ethernet cable should run to a port labelled 'LAN' on the internet modem, preferably port no. 1. See the figure at the start of this manual.



Gv J. v. Stolbergln 31 - A3850  
2263AB Leidschendam  
The Netherlands  
+31 85 25 00 235  
[www.jrseco.com](http://www.jrseco.com)  
[info@jrseco.com](mailto:info@jrseco.com)



## **Gebrauchsanweisung für den strahlungsarmen Router mit der JRS Eco-Wifi 05AC Firmware**

### **Einleitung**

Reduzierte elektromagnetische Strahlung bei gleicher Leistung. Stellen Sie einen Internetzugang im ganzen Haus oder Büro bereit und minimieren Sie gleichzeitig die Belastung durch elektromagnetische Strahlung mittels der Eco-WLAN-Firmware von JRS.

Wussten Sie, dass herkömmliche WLAN-Router für drahtloses Internet unnötigerweise 10 Mal in der Sekunde und 24 Stunden am Tag ein Signal senden, selbst wenn sie nicht genutzt werden? Die Lösung ist ein WLAN-Router mit reduzierter elektromagnetischer Strahlung. Diese Router sind mit der einzigartigen JRS Eco-Wifi-Firmware ausgestattet: einem Betriebssystem, das die elektromagnetische Strahlung mit einem Faktor von 90 % reduziert im Bereitschaftsmodus. Damit wird die Belastung durch elektromagnetische Strahlung des Routers messbar um den Faktor 10 reduziert.

- Reduzieren Sie die WLAN-Strahlung im Bereitschaftsmodus um 90%:  
die Impulsfrequenz wird auf nur einmal pro Sekunde reduziert.  
Die Datenübertragungsrate und die Netzwerkstabilität bleiben gleich.
- Optionen für eine vollständige (100 %-ige) Deaktivierung der WLAN-Strahlung:
  - Geplante WLAN-Abschaltung (zum Beispiel während der Nacht)
  - Manueller Ein-/Ausschalter für den WLAN-Transmitter.
- Feinjustierung der Reichweite mit 1 Milliwatt Schrittgröße:  
um eine Reduzierung der Sendeleistung um bis zu 95% erzielen.

*Die Strahlung beim Laptop (oder einem anderen, drahtlos verbundenen Gerät) bleibt unverändert. Sie können bei Bedarf die Sendeleistung des WLAN-Adapters in Ihrem Rechner über Geräteverwaltung (Windows) niedriger einstellen. Eine kabelgebundene Internetverbindung ist strahlungsfrei und minimiert das Gesundheitsrisiko.*

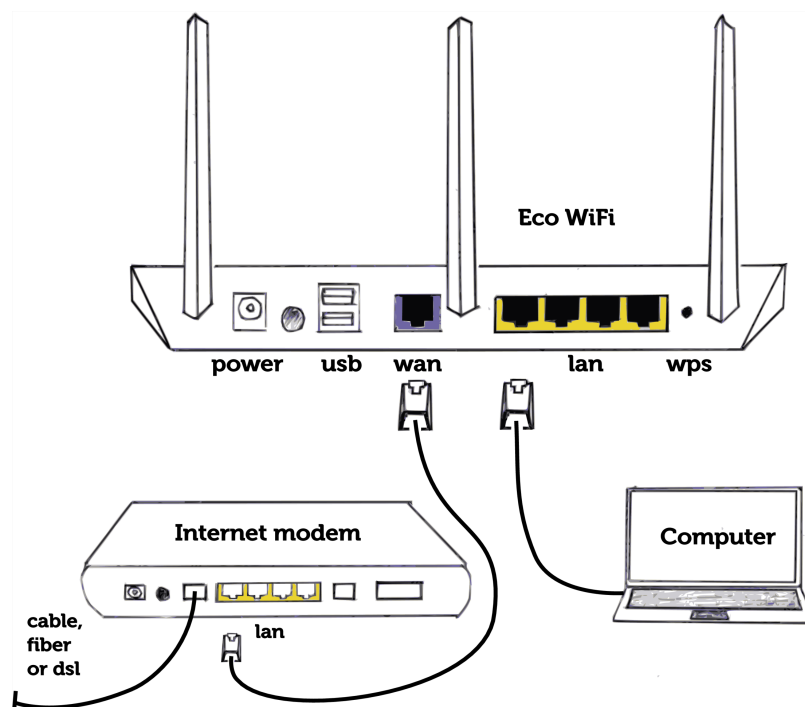
### **Standard-Passwort**

Standardmäßig ist der Zugriffspunkt mit aktivierter WLAN-Sicherheit eingerichtet. Daher benötigen Sie ein Passwort, um sich drahtlos mit dem WLAN-Zugangspunkt zu verbinden und an der Konfigurationsseite anzumelden. Das Passwort fungiert auch als Standard-Benutzername/-Passwort nach einem Zurücksetzen (weitere Informationen finden Sie am Ende dieses Handbuchs):

- Benutzername:** *root* (wird nur für die Anmeldung an der Konfigurationsseite benötigt)
- Passwort:** *ecowifi!*

## Anschließen Ihres Eco-WLAN-Routers

Die folgende Abbildung zeigt, wie Sie den Eco-WLAN-Router mit Ihrem Internetmodem verbinden.



1. Verbinden Sie das mitgelieferte Patchkabel vom blauen WAN-Port des Eco-WLAN mit einem freien LAN-Port Ihres Internetmodems.
2. Schrauben Sie die Antennen auf den Eco-WLAN. Schließen Sie das Netzteil an und stecken Sie den Adapter in eine Steckdose.
3. Wichtig! Sollte Ihr Internetmodem über WLAN verfügen, müssen Sie es deaktivieren. Falls Sie nicht wissen, wie dies zu tun ist, kontaktieren Sie den Kundendienst Ihres Anbieters zur Unterstützung. Siehe auch nachfolgende Angaben.

## Verbinden Ihres Computers mit dem Eco-WLAN-Router

Sie haben nun zwei Möglichkeiten, Ihren Computer oder ein anderes Gerät mit dem Router zu verbinden. Sie können eine drahtlose Verbindung zum Eco-WLAN herstellen, indem Sie das Standard-WLAN-Passwort „*ecowifi!*“ (mit

**Ausrufezeichen) eingeben, oder über die LAN-Ports des Eco-WLAN eine kabelgebundene Verbindung herstellen.**

### **Ändern des WLAN-Passworts**

Es wird dringend empfohlen, **das WLAN-Passwort sofort zu ändern!** So ändern Sie die WLAN-Security-Einstellungen und das WLAN-Passwort des Eco-WLAN-Routers:

1. Gehen Sie zum Eco-WLAN-Konfigurationsmenü unter <http://192.168.4.1> und melden Sie sich mit dem Benutzernamen *root* und dem Passwort *ecowifi!* an.
2. Gehen Sie auf der Eco-WLAN-Konfigurationsseite zum Menü **Basic** → **Network**.
3. Geben Sie unter „Shared key“ das gewünschte neue Passwort ein.
4. Tun Sie dies sowohl für das 2,4-GHz-Netzwerk als auch für das 5-GHz-Netzwerk (wird zweimal angezeigt).

Jetzt müssen Sie sich erneut mit dem Eco-WLAN verbinden, indem Sie das neue Passwort in Ihren WLAN-Einstellungen verwenden. Wenn Sie Probleme beim erneuten Herstellen der Verbindung haben, müssen Sie möglicherweise auf Ihrem Gerät auf „Manage wireless networks“ oder Ähnliches gehen, dort zuerst das „jrs-ecowifi“-Netzwerk und anschließend „Forget network“ auswählen.

### **Das integrierte WLAN Ihres Internetmodems deaktivieren**

Sie müssen Ihr Internetmodem beibehalten, da es die Umwandlung des Internetsignals zu ADSL, Kabel oder Glasfaser bereitstellt, mit Details, die von Ihrem Internetanbieter abhängen. Wenn Ihr Internetmodem über ein integriertes WLAN verfügt, muss dieses deaktiviert werden, um die WLAN-Strahlung zu minimieren. Sie benötigen kein WLAN-Signal mehr, da die WLAN-Funktion vom Eco-WLAN-Router übernommen wird.

Bei einigen Internetmodems können Sie das WLAN einfach mit einem Schalter am Modem deaktivieren oder sich in einem Einstellungsmenü anmelden. Wir erhalten regelmäßig Fragen, wie dabei vorzugehen ist. Bitte haben Sie Verständnis dafür, dass wir nicht für alle Anbieter und Modems einen Support bieten können. Dies liegt außerhalb unseres Einflussbereichs. Bedenken Sie jedoch, dass es immer eine Möglichkeit gibt, das integrierte WLAN zu deaktivieren. Wenn Sie nicht wissen, wie vorzugehen ist, fragen Sie beim Kundendienst Ihres Anbieters nach Unterstützung. Alternativ hierzu können Sie im Internet nach einer Anleitung suchen, indem Sie den Namen des Anbieters sowie den Hersteller und das Modell Ihres Internetmodems eingeben. Normalerweise kann das integrierte WLAN im Einstellungsmenü Ihres Internetmodems deaktiviert werden. Zugang zu diesem erhalten Sie über einen Webbrowser durch Eingabe der richtigen Adresse in Form einer IP-Nummer.

Wenn Ihr Internetanbieter über seine Internetmodems auch ein öffentliches WLAN-Netzwerk betreibt, müssen Sie sicherstellen, dass auch dieses öffentliche WLAN-Netzwerk deaktiviert wird. In einigen Fällen müssen Sie dies auf einer separaten Webseite des Internetanbieters und mittels einer personalisierten Anmeldung vornehmen. Sie können überprüfen, ob Ihr



Gv J. v. Stolbergln 31 - A3850  
2263AB Leidschendam  
The Netherlands  
+31 85 25 00 235  
[www.jrseco.com](http://www.jrseco.com)  
[info@jrseco.com](mailto:info@jrseco.com)



Modem kein WLAN mehr ausstrahlt, indem Sie Ihr Smartphone daneben halten und es nach WLAN-Netzwerken suchen lassen. Stellen Sie sicher, dass sich kein starkes WLAN-Netzwerk über der Liste mit dem Namen des öffentlichen Netzwerks etabliert.

### Öffnen der Konfigurationsseite des Eco-WLAN-Routers

1. Starten Sie Ihren Webbrowser.
2. Geben Sie in die Adresszeile des Webbrowsers ein: <http://192.168.4.1>.
3. Um sich an der Konfigurationsseite anzumelden, verwenden Sie den Benutzernamen: **root** und das Admin-Passwort: **ecowifi!**

Sie können das Administratorpasswort bei Bedarf ändern. Dies ist das Passwort, das eingegeben werden muss, um die Konfigurationsseite zu öffnen. Sie können dies auf der Konfigurationsseite im Menü Administration → Admin Access („Password“ am Ende der Seite) tun. Es ist nicht unbedingt erforderlich, das Administratorpasswort zu ändern, da auf die Konfigurationsseite nur über das lokale Netzwerk zugegriffen werden kann.

### Dualband

Der Eco-WLAN-Router ist ein Dual-Band-Router und sendet Frequenzen zweier WLAN-Netzwerke aus: eines mit der Frequenz 2,4 GHz mit dem Namen „jrs-ecowifi“ und eines mit der Frequenz 5 GHz mit dem Namen „jrs-ecowifi-5G“. Die Reichweite ist im 2,4-GHz-Netzwerk am besten, da 5 GHz durch Wände und Decken stärker unterdrückt wird. In einem 5-GHz-Netzwerk kann die maximale AC-WLAN-Durchsatzgeschwindigkeit (bis zu ca. 350 Mbit/s) erreicht werden. Siehe auch nachfolgend „Maximieren der Durchsatzgeschwindigkeit des Eco-WLAN 05AC“. Eine Minimierung der EM-Strahlung können Sie beispielsweise durch ein Deaktivieren des 5-GHz-Netzwerks erreichen. Dies kann im Konfigurationsmenü auf der Seite Basic → Network page erfolgen.

### Einstellung der Sendeleistung

Um die Strahlung noch weiter zu reduzieren, können Sie die Sendeleistung verringern. (Die Reichweite des Routers wird reduziert).

Die Sendeleistung wird am besten auf den niedrigsten Wert eingestellt, bei dem der gewünschte WLAN-Bereich zuverlässig erreicht wird, und nicht höher. Dies hängt von der Größe Ihres Büros oder Hauses, der Beschaffenheit der Wände und Böden (Holz, Stein oder Stahlbeton) und der Qualität der WLAN-Empfänger in den verwendeten Laptops/Tablets/Mobiltelefonen usw. ab.

1. Öffnen Sie auf der Eco-WLAN-Konfigurationsseite das Menü Advanced → Wireless.
2. Ändern Sie das Power Feld. Die niedrigste mögliche Einstellung ist 4 mW. Es wird zweimal erwähnt: einmal für 2,4 GHz und einmal für 5 GHz. Die tatsächlich gemessene Sendeleistung bei dieser Einstellung (gemessen durch JRS) liegt bei einem Faktor vom zehnfachen bis zwanzigfachen unterhalb der Standardeinstellung. Je niedriger



die Einstellung, desto geringer ist die Belastung, der Sie durch EM Strahlung ausgesetzt sind.

**Die Nenneinstellung beträgt 30–40 mW.**

## **Manuelles Aktivieren und Deaktivieren des WLAN-Signals**

Mit der Taste „WPS“ oder der Taste „Wi on/off“ an der Seite des Eco-WLAN kann das WLAN-Signal manuell deaktiviert werden (während die LAN-/Ethernet-Anschlüsse weiterhin funktionieren). Die WLAN-Emissionen hören vollständig auf (100% Strahlungsreduzierung), während die Nutzung über die kabelgebundenen LAN-/Ethernet-Anschlüsse fortgesetzt werden kann. Halten Sie die Taste eine Sekunde lang gedrückt, bis die Netzleuchte erlischt. Lassen Sie die Taste anschließend wieder los. Wenn die WLAN-Anzeigeleuchten erlöschen, ist die WLAN-Verbindung deaktiviert. Um die WLAN-Verbindung wieder zu aktivieren, gehen Sie genauso vor.

Nach dem Aktivieren des Zugangspunkts wird das WLAN aktiviert.

Der Eco-WLAN unterstützt keine Wireless Protected Setup-Funktion (Original-Funktion der WPS-Taste).

## **Einstellen der Zeiträume, an denen das WLAN automatisch vollständig deaktiviert wird**

1. Gehen Sie in das Menü Basic → Time. Stellen Sie die Zeitzone auf Ihre Zone ein.
2. Wechseln Sie auf der Konfigurationsseite ins Menü Access Restriction.
3. Klicken Sie auf Add.
4. Klicken Sie auf das Optionsfeld „Disable Wireless“ und geben Sie die gewünschten Zeiträume ein.

Um das WLAN während der deaktivierten Zeiträume manuell aktivieren zu können, halten Sie die WPS-Taste (oder W on/off) an der Seite des Routers eine Sekunde lang gedrückt, wie dies oben beschrieben wird. Der Router wird seinen Ein-/Aus-Zeitplan ab der nächsten eingestellten Uhrzeit fortsetzen.

Hinweis: Wenn der Eco-WLAN als Switch konfiguriert ist, wie im Abschnitt „Konfigurieren des Eco-WLAN als Switch statt als Router“ nachfolgend beschrieben, müssen Sie den Router-Zeitraum manuell einstellen:

1. Gehen Sie zum Menü Tools -> System Commands
2. Geben Sie den folgenden Befehl in das Feld ein: „date -s YYYY.MM.DD-hh:mm:ss“, wobei YYYY.MM.DD durch das aktuelle Datum und hh:mm:ss durch die aktuelle Uhrzeit ersetzt werden.

3. Klicken Sie auf „Execute“. Die Uhrzeit ist jetzt eingestellt, bis der Router zurückgesetzt oder von der Stromversorgung getrennt wird.

### Maximieren der Durchsatzgeschwindigkeit des Eco-WLAN 05AC

- Stellen Sie „Bandwidth“ im Menü Basic → Network auf 80 MHz ein und klicken Sie auf „Save“.
- Folgen Sie den Anweisungen im Abschnitt „Configure the Eco-wifi as a switch instead of as a router“.

### Aktivieren der USB- und NAS-Unterstützung (Network Attached Storage)

1. Gehen Sie zur Eco-WLAN-Konfigurationsseite, und dort zum Menü *USB and NAS*.
2. Überprüfen Sie, ob *Core USB Support* sowie *USB 2.0 Support* aktiviert wurden.
3. Aktivieren Sie ggf. den *USB printer support*.
4. Überprüfen Sie, ob die von Ihnen verwendeten Dateisysteme aktiviert sind (fast immer *FAT-Format*).
5. Überprüfen Sie, ob *Automount* aktiviert ist.
6. Gehen Sie zum Untermenü *Filesharing*.
7. Aktivieren Sie *Yes, no authentication*.

### Einrichten eines Netzwerkzugangs als Gast auf dem Eco-WLAN

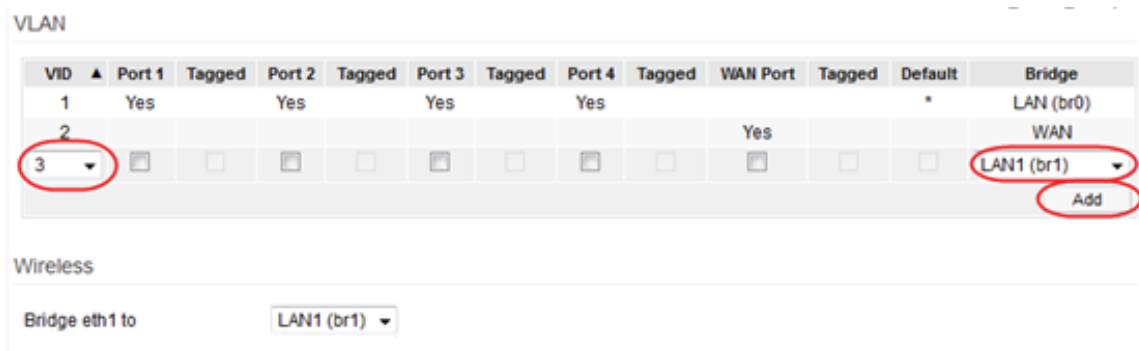
Hier wird das Hinzufügen von zusätzlichen Netzwerken („SSIDs“), zum Beispiel für ein Gästernetzwerk, erklärt. Bis zu 4 SSIDs können für jede Frequenz erstellt werden. Dies entspricht insgesamt 8 SSIDs auf dem Eco-WLAN 05AC (für die 2,4 GHz- und 5 GHz-Frequenzen).

1. Fügen Sie im Menü Basic > Network eine zusätzliche „Bridge“ mit einer IP-Nummer (ungleich 192.168.4.1) hinzu. Aktivieren Sie DHCP. Klicken Sie auf Add, und klicken Sie anschließend auf „Save“ am Ende der Seite. In der folgenden Abbildung wird **10.0.0.1** für die neue Bridge 1 (br1) erstellt:

Bridge	STP	IP Address	Netmask	DHCP	IP Range (first/last)	Lease Time (mins)
br0	Disabled	192.168.200.1	255.255.255.0	Disabled		
1	<input type="checkbox"/>	10.0.0.1	255.255.255.0	<input checked="" type="checkbox"/>	10.0.0.2 10.0.0.254	1440

Klicken Sie auf Add und anschließend auf „Save“ am Ende der Seite.

2. Im Menü Advanced > VLAN: Fügen Sie unter VLAN die VLAN-ID 3 hinzu und verbinden Sie sie mit der neuen LAN1 (br1) Bridge. Klicken Sie auf Add.



VID	Port 1	Tagged	Port 2	Tagged	Port 3	Tagged	Port 4	Tagged	WAN Port	Tagged	Default	Bridge
1	Yes		Yes		Yes		Yes				*	LAN (br0)
2									Yes			WAN
3												LAN1 (br1)

Wireless

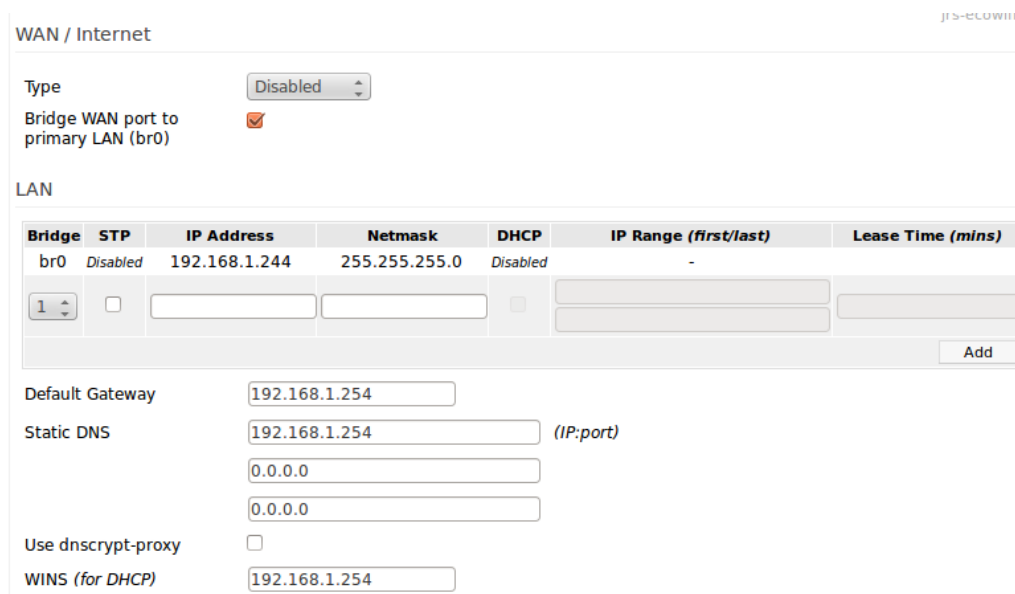
Bridge eth1 to LAN1 (br1)

3. Gehen Sie zum Menü Advanced --> Virtual Wireless. Legen Sie den WLAN-Netzwerknamen des Gästenetzwerks in „SSID“ fest. Auf dieser Seite können Sie auch die Security einstellen: oben auf der Seite wird ein Block mit „Overview“ angezeigt. In den daneben befindliche grauen Quadraten werden alle Gästenetzwerke aufgelistet. Wenn Sie darauf klicken, wird eine Seite angezeigt, auf der Sie die Sicherheit festlegen können.

4. Starten Sie den Router neu.

## Konfigurieren des Eco-WLAN als Switch statt als Router

Das Eco-WLAN kann auch als Switch anstatt als Router konfiguriert werden. Dies kann beispielsweise erforderlich sein, um ein Gerät mit Network Attached Storage von Geräten zu erreichen, die an Ihr Internetmodem angeschlossen sind (befindet sich auf der WAN-Seite des Eco-WLAN) oder für ein reibungsloses Roaming von drahtlosen Geräten zwischen mehreren Eco-WLAN-Routern. Im letzteren Fall müssen Sie auch die SSID und WLAN-Passwörter für alle Router identisch einstellen.



WAN / Internet

Type Disabled

Bridge WAN port to primary LAN (br0)

LAN

Bridge	STP	IP Address	Netmask	DHCP	IP Range (first/last)	Lease Time (mins)
br0	Disabled	192.168.1.244	255.255.255.0	Disabled	-	
1	<input type="checkbox"/>			<input type="checkbox"/>		

Default Gateway

Static DNS  (IP:port)

Use dnscrypt-proxy

WINS (for DHCP)



Gv J. v. Stolbergln 31 - A3850  
2263AB Leidschendam  
The Netherlands  
+31 85 25 00 235  
[www.jrseco.com](http://www.jrseco.com)  
[info@jrseco.com](mailto:info@jrseco.com)



1. Rufen Sie das Eco-WLAN-Menü Status → Overview auf und notieren Sie sich die 4-stellige Adresse, die sich neben *Gateway* befindet, welches die IP-Adresse Ihres Internetmodems ist. Notieren Sie sich auch die 4 Ziffern, die neben *Subnet* aufgeführt sind. Diese Ziffern werden im nächsten Schritt benötigt.

2. Gehen Sie im Eco-WLAN zum Menü Basic --> Network.

- Geben Sie unter *IP-Adresse* (in das Feld mit der Nummer 192.168.1.244 in der Beispielab-bildung) die ersten 3 Ziffern der IP-Adresse Ihres Internetmodems aus Schritt 1 ein und wählen Sie als vierte Ziffer eine nicht verwendete Ziffer in Ihrem Netzwerk (eine sichere Wahl liegt normalerweise zwischen 80 und 239).
- Unter *Netmask* (in das mit der Nummer 255.255.255.0 in der Beispielabbildung) geben Sie die 4 Ziffern ein, die Sie in Schritt 1 in *Subnet* gefunden hatten. Deaktivieren Sie *DHCP*. Klicken Sie auf OK (rechts).
- Geben Sie neben *Default Gateway*, *Static DNS* und *WINS* (in den Feldern mit der Nummer 192.168.1.254 in der Beispielabbildung) die vollständige 4-stellige IP-Adresse Ihres Internetmodems aus Schritt 1 ein.

3. Klicken Sie auf „Save“ (am Ende der Seite).

4. Hinweis: Von nun an können Sie das Einstellungs-menü des Eco-WLAN erreichen, indem Sie im Internet Explorer jene neue IP-Nummer eingeben, die Sie in Schritt 2 ausgewählt haben.

## **Vollständiges Zurücksetzen des Eco-WLAN**

Um den Router so zurückzusetzen, dass alle Passwörter, Einstellungen usw. auf die Standardwerte zurückgesetzt werden, gehen Sie folgendermaßen vor. Alle eco-Funktionen bleiben nach dem Zurücksetzen erhalten.

1. Ziehen Sie den Netzstecker aus der Steckdose.
2. Drücken Sie die WPS-Taste und halten Sie sie gedrückt.
3. Stecken Sie den Netzstecker in die Steckdose. Die Netzleuchte muss jetzt schnell blinken.
4. Halten Sie die WPS-Taste für weitere 3 Sekunden gedrückt.

## **Fehlerbehebung**

### **5-GHz-Netzwerk wird auf Ihrem drahtlosen Gerät nicht angezeigt**

Ändern Sie im Menü Advanced -> Wireless die Ländereinstellung, falls verfügbar, für das 5-GHz-Netzwerk auf den richtigen Wert.

### **Wenn Sie keine Verbindung zum drahtlosen Netzwerk herstellen können**

- Es könnte ein Problem mit den Einstellungen Ihres -Geräts (Laptop/Mobiltelefon) geben, z. B. wurde die falsche Sicherheitseinstellung gewählt oder das falsche Passwort eingegeben.

Versuchen Sie, „forget network“ oder ähnliches zu verwenden, so dass Sie die Einstellungen/das Passwort erneut eingeben können.

- In sehr seltenen Fällen, zum Beispiel bei sehr alten Computern – dies betrifft 1 % aller Fälle – ist das reduzierte Pulsieren des Eco-WLAN möglicherweise nicht mit Ihrem drahtlosen Gerät kompatibel. Eine mögliche Lösung ist die Verwendung eines USB-WLAN-Adaptersticks in Ihrem drahtlosen Gerät, um eine Verbindung mit dem Eco-WLAN herzustellen.

### **Meine Geräte können das Eco-WLAN-Netzwerk nicht finden, die Verbindung wird oft unterbrochen oder ist langsam**

Falls sich andere WLAN-Netzwerke in der Umgebung befinden, wie zum Beispiel benachbarte drahtlose Router oder andere drahtlose Sender, die auf derselben WLAN-Frequenz wie der Eco-WLAN-Router arbeiten, können Interferenzen auftreten, die diese Probleme verursachen. Auch wenn das integrierte WLAN Ihres Internetmodems nicht deaktiviert ist und das beinhaltet öffentliche WLAN-Netzwerk oder WLAN-Hotspots, die es überträgt, können diese das Eco-WLAN-Signal stark stören.

In den meisten Fällen besteht die Lösung für Verbindungsprobleme darin, den Eco-WLAN-Router auf einen anderen Kanal einzustellen. Es empfiehlt sich, den Router auf einen festen Kanal anstatt auf Auto festzulegen. Um den besten Kanal zu finden, können Sie folgendermaßen vorgehen:

\* Gehen Sie zum Menü Basic -->Network im Menü Eco-wifi settings, indem Sie 192.168.4.1 in die Adressleiste Ihres Browsers eingeben (Benutzername *root*, Passwort *ecowifi!*), und klicken Sie auf die Scan-Taste neben der Channel-Auswahl für 2,4 GHz. Nachdem das Scannen abgeschlossen wurde, wählen Sie einen freien Kanal (ein Kanal, neben dem kein benachbarter WLAN-Netzwerkname angezeigt wird). Für 5 GHz wird dies normalerweise nicht benötigt. Klicken Sie am Ende der Seite auf „Save“.

\* Wenn es keine freien Kanäle gibt, sehen Sie sich die Signalstärke der anderen WLAN-Netzwerke an. Die Signalstärke reicht von ca. -80dBm (sehr schwach) bis -30dBm (sehr stark). Wählen Sie einen Kanal aus, auf dem nur ein schwaches Netzwerk vorhanden ist. Versuchen Sie auch, sehr stark störende Sender oberhalb oder unterhalb des ausgewählten Kanals zu vermeiden.

Optional: Gehen Sie zum Menü Advanced -> Wireless, zur Einstellung Interference Mitigation und stellen Sie diese auf Non-WLAN ein. Wiederholen Sie das oben Beschriebene sowohl für 2,4 GHz als auch für 5 GHz. Diese Funktion versucht, Störungen durch andere Geräte zu vermeiden, die auf derselben Frequenz senden (z. B. bestimmte drahtlose Videoverbindungen).

Optional: Senken Sie das „Beacon-Interval“ im Menü Advanced -> Wireless auf 800. Tun Sie dies sowohl für den 2,4-GHz- als auch für den 5-GHz-Kanal (wird doppelt angezeigt).

Optional: Ändern Sie im Menü Advanced -> Wireless die Einstellung WMM® (Drahtloses Multimedia) auf „disabled“ und klicken Sie am unteren Rand der Seite auf „Save“.

## Ich kann mich mit dem eco-WLAN-Netzwerk verbinden, bekomme jedoch keinen Internetzugang

Wie erkennt man dieses Problem? Verbinden Sie sich entweder über einen der LAN-Ports des eco-WLAN oder kabellos mit dem eco-WLAN-Netzwerk und tippen Sie <http://192.168.4.1> in die Adressleiste Ihres Browsers. Melden Sie sich an (Standard-Benutzername „root“, Passwort „ecowifi!“) und klicken Sie auf „Status“. Der Bildschirm zeigt an „WAN - Status Renewing...“. beispielsweise so:

WAN (hide)	
MAC Address	[REDACTED]
Connection Type	DHCP
IP Address	0.0.0.0
Subnet Mask	0.0.0.0
Gateway	0.0.0.0
DNS	
MTU	1500
Status	<b>Renewing...</b>
Connection Uptime	-
Remaining Lease Time	0 days, 00:00:00
<input type="button" value="Renew"/> <input type="button" value="Release"/>	

Dies bedeutet, dass ein Kabel an den WAN-Port angeschlossen ist, Ihr Internetmodem dem Eco-WLAN-Router jedoch keine IP-Adresse zur Verfügung stellt.

Lösung 1: Wenn Ihr Internet-Modem im sogenannten Bridge-Modus konfiguriert ist, wird der Router oder das Gerät, das an seinem LAN-Port angeschlossen ist, direkt mit dem Netzwerk des ISP verbunden. Oft darf nur ein einziges Gerät (MAC-Adresse) mit dem Netzwerk des Anbieters verbunden sein. Wenn dieser Anschluss von der vorherigen Einrichtung übernommen wurde, muss das Netzwerk zurückgesetzt werden. **Versuchen Sie, Ihr Internetmodem für mindestens fünf Minuten zu deaktivieren.** Schalten Sie den Router anschließend wieder ein und verbinden Sie ihn erneut mit dem LAN-Port 1 Ihres Internetmodems. Sie können sich auch an den Kundendienst Ihres Internetanbieters wenden.

Lösung 2: Alternativ dazu können Sie überprüfen, ob die Verbindung zwischen dem eco-WLAN-Router und dem Internetmodem ordnungsgemäß hergestellt wurde. Das Ethernet-Kabel muss mit einem Anschluss am Internetmodem, welcher den Namen „LAN“, vorzugsweise Anschluss-Nr. 1, trägt, verbunden werden. Siehe Abbildung am Anfang dieses Handbuchs.